

CPI Electron Device Business - Coaxial Magnetron



FEATURES:

- Frequency 7.6 – 8.5 GHz
- Peak power output 260 kW
- Duty cycle .001
- Anode voltage 29 kV
- Anode current 20 amps
- Pulse width 0.8 microseconds max.
- Heater 9 volts @ 14 amps
- Air cooled
- Mechanically tunable

BENEFITS:

- Long life
- Exceptional frequency stability

APPLICATIONS:

- Threat simulator radars
- Air traffic control radars
- Weather radars

CPI EDB X-Band 260 kW Coaxial Magnetron: VMX3062

Electrical Specifications

Frequency	7.6 – 8.5 GHz
Peak Power Output	260 kW
Average Power Output	0.325 kW
Pulse Voltage	27 – 30 kV
Peak Anode Current	20 A
Average Anode Current	26.0 mA
Pulse Width	0.8 μ S max
Duty Cycle	0.0013
Maximum Filament Voltage	10 V
Maximum Filament Current	50 A
Minimum Warm-Up Time	180 S
Maximum Load VSWR	1.3:1

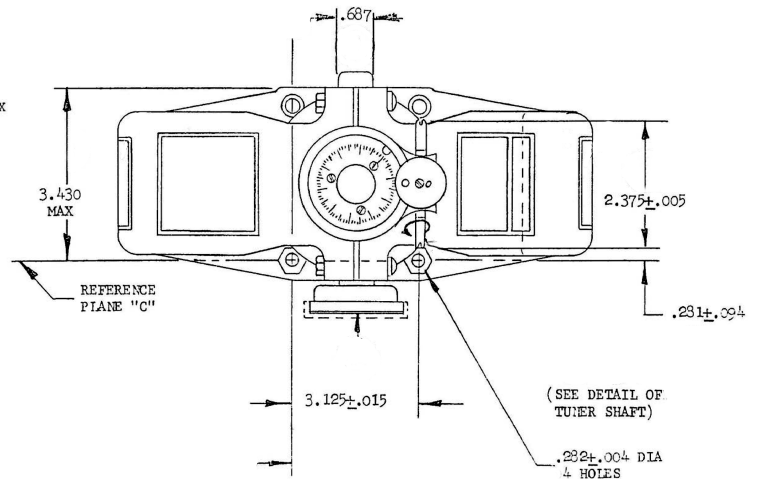
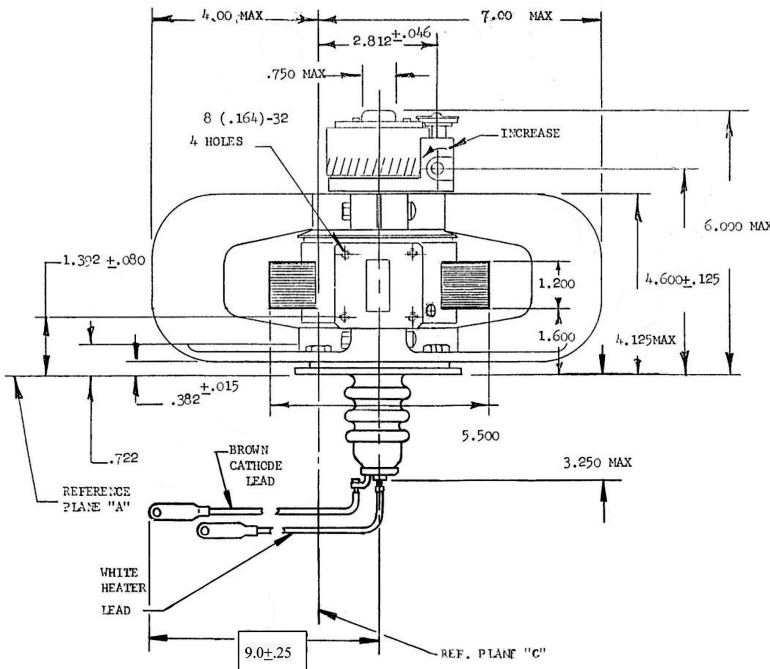
Mechanical and Environmental Specifications

Cooling	Forced air
Maximum Body Temperature	125 °C
Mounting Position	Any
Support	Mounting flange
Coupling	WR112
Weight	20 lbs. (9.07 kg)

*Electrical specifications are typical. Other operating conditions are obtainable.

With a history of producing high quality products, we can help you with your magnetron.

Contact us at ElectronDevices@cpiedb.com or call us at +1 978-922-6000.



Beverly Microwave
Division
150 Sohler Road
Beverly, Massachusetts
USA 01915

tel +1 978-922-6000
email ElectronDevices@cpiedb.com
fax +1 978-922-8914
web www.cpi-edb.com

For more detailed information, please refer to the corresponding CPI EDB technical description if one has been published, or contact CPI EDB. Specifications may change without notice as a result of additional data or product refinement. Please contact CPI EDB before using this information for system design.

©2024 CPI Electron Device Business. Company proprietary; use and reproduction is strictly prohibited without written authorization from CPI EDB.